

# MicroEJ Platform

*Developer's Guide*



**MICROEJ**®

STM32F746GDISCO 3.1.5

Reference:	TLT-0790-DGI-Platform-STM32F746GDISCO
Version:	3.1.5
Revision:	3.1.5

---

## Confidentiality & Intellectual Property

All rights reserved. Information, technical data and tutorials contained in this document are confidential and proprietary under copyright Law of Industrial Smart Software Technology (IS2T S.A.) operating under the brand name MicroEJ®. Without written permission from IS2T S.A., *copying or sending parts of the document or the entire document by any means to third parties is not permitted*. Granted authorizations for using parts of the document or the entire document do not mean IS2T S.A. gives public full access rights.

The information contained herein is not warranted to be error-free. IS2T® and MicroEJ® and all relative logos are trademarks or registered trademarks of IS2T S.A. in France and other Countries.

Java™ is Sun Microsystems' trademark for a technology for developing application software and deploying it in cross-platform, networked environments. When it is used in this documentation without adding the ™ symbol, it includes implementations of the technology by companies other than Sun.

Java™, all Java-based marks and all related logos are trademarks or registered trademarks of Sun Microsystems Inc, in the United States and other Countries.

Other trademarks are proprietary of their authors.

---

---

Revision History		
Revision 3.1.5	June 8th 2017	
BugFix: Soft DNS resolver doesn't retry on timeout and doesn't try other servers on errors		
Revision 3.1.4	June 8th 2017	
MicroEJ 4.1 alignment		
Revision 2.3.0	December 27th 2016	
Fixed typo in Ethernet buffers size		
Revision 2.2.0	June 4th 2016	
First release		

---

---

# Table of Contents

1. Introduction .....	1
1.1. Intended Audience .....	1
1.2. Scope .....	1
1.3. Prerequisites .....	1
2. Develop and Run Your First MicroEJ Standalone Application .....	2
2.1. Run an Example on the MicroEJ Simulator .....	2
2.1.1. Create Example .....	2
2.1.2. Run Example .....	3
2.2. Run the Example on the STM32F746G-DISCO Board .....	4
2.2.1. Compile MicroEJ Standalone Application .....	4
2.2.2. STM32 ST-LINK utility Programming Tool .....	4
3. Specification .....	7
3.1. Overview .....	7
3.2. MicroEJ Platform Configuration .....	7
3.3. Platform Output stream .....	7
3.4. Memories .....	8
3.5. Multi Applications .....	9
3.6. Graphical User Interface .....	9
3.6.1. Display .....	9
3.6.2. Inputs .....	9
3.7. Network .....	9
3.8. SSL .....	10
3.9. File System .....	10
3.10. Serial Communications .....	10
3.10.1. UART Connector .....	10
3.10.2. USB Connector .....	10
3.11. HAL .....	10
4. Foundation Libraries .....	13
4.1. List .....	13
5. Board Configuration .....	14
5.1. Mandatory Connectors .....	14
5.2. Communication Connectors .....	14
5.3. HAL Connectors .....	15
6. Changelog .....	16
6.1. Version 3.1.5 .....	16
6.2. Version 3.1.4 .....	16
6.3. Version 2.2.0 .....	16

---

# List of Figures

- 2.1. MicroEJ Standalone Application Selection ..... 2
- 2.2. MicroEJ Standalone Application Naming ..... 3
- 2.3. MicroEJ Standalone Application Running ..... 3
- 2.4. Execution on Device ..... 4
- 2.5. MicroEJ Tool Launcher Creation ..... 5
- 2.6. STLink MicroEJ SDK Tool Window ..... 5
- 2.7. STLink MicroEJ SDK Tool Configuration Window ..... 6
- 5.1. Mandatory Connectors ..... 14
- 5.2. Communication Connectors ..... 15
- 5.3. HAL Connectors ..... 15

---

## List of Tables

3.1. MCU Technical Specifications .....	7
3.2. MicroEJ Configuration .....	7
3.3. Internal RAM: DTCM (64 KB) .....	8
3.4. Internal RAM: SRAM1 (240 KB) .....	8
3.5. External RAM: SDRAM (8 MB) .....	8
3.6. Internal flash: AXIM interface (1 MB) .....	8
3.7. External flash: QSPI (16 MB) .....	8
3.8. HAL GPIOs Ports and Pins .....	11
3.9. HAL GPIOs Pins Designation Mapping .....	11
3.10. HAL Analog IOs Pins Designation Mapping .....	12
4.1. Foundation Libraries .....	13

---

# Chapter 1. Introduction

## 1.1. Intended Audience

The intended audience for this document are developers who wish to develop their first MicroEJ standalone application with MicroEJ SDK. Notes:

- This document is for the ST STM32F746G-DISCO board.
- Please visit the website <https://developer.microej.com> for more information about STM32F746G-DISCO products (platforms, videos, examples, application notes, etc.).

## 1.2. Scope

This document describes, step by step, how to start your development with MicroEJ SDK

- Run a MicroEJ standalone application on the MicroEJ simulator.
- Run a MicroEJ standalone application on the MicroEJ platform and deploy it on the STM32F746G-DISCO board.

## 1.3. Prerequisites

- PC with Windows 7 or later.
- The MicroEJ SDK environment must be installed.
- STM32F746G-DISCO board.
- The STM32 ST-LINK utility (minimal version 3.7.1).

---

# Chapter 2. Develop and Run Your First MicroEJ Standalone Application

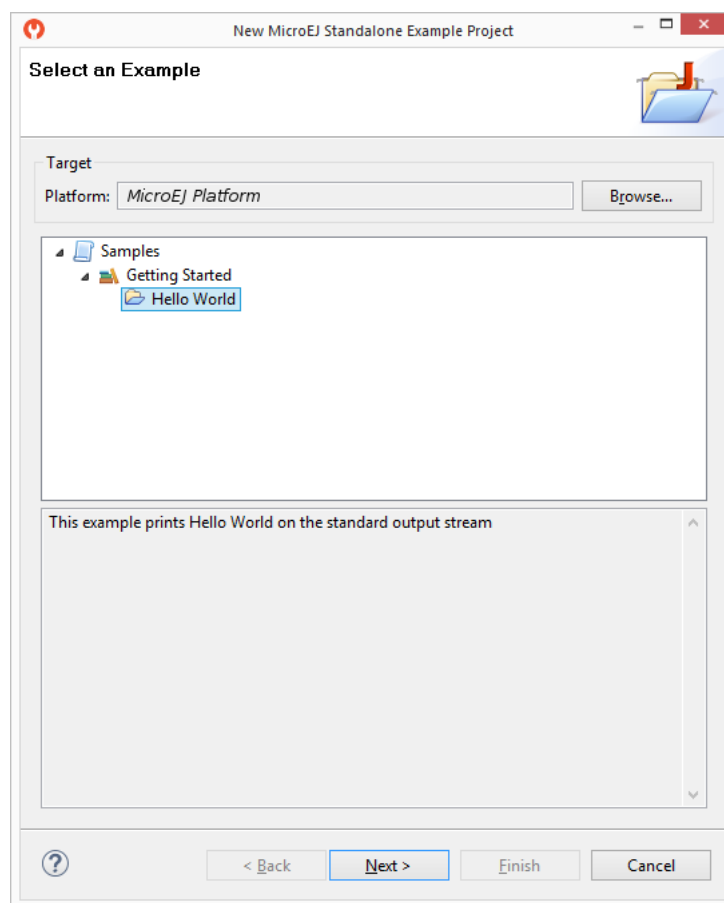
## 2.1. Run an Example on the MicroEJ Simulator

The aim of this chapter is to create a MicroEJ standalone application from a built-in example. Initially, this example will run on the MicroEJ simulator. Then, in the next section, this application will be compiled and deployed on the STM32F746G-DISCO board using the MicroEJ platform.

### 2.1.1. Create Example

- Open MicroEJ SDK.
- Open the `File > New > MicroEJ Standalone Example Project` menu.
- Select the MicroEJ platform `STM32F746GDISCO-846SI` from the combo box.
- Select the example `Samples > Getting Started > Hello World`.

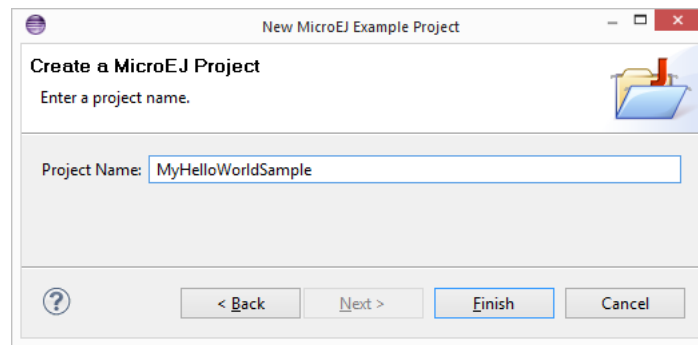
Figure 2.1. MicroEJ Standalone Application Selection



- Click on Next. The next page suggests a name for the new project.



Figure 2.2. MicroEJ Standalone Application Naming

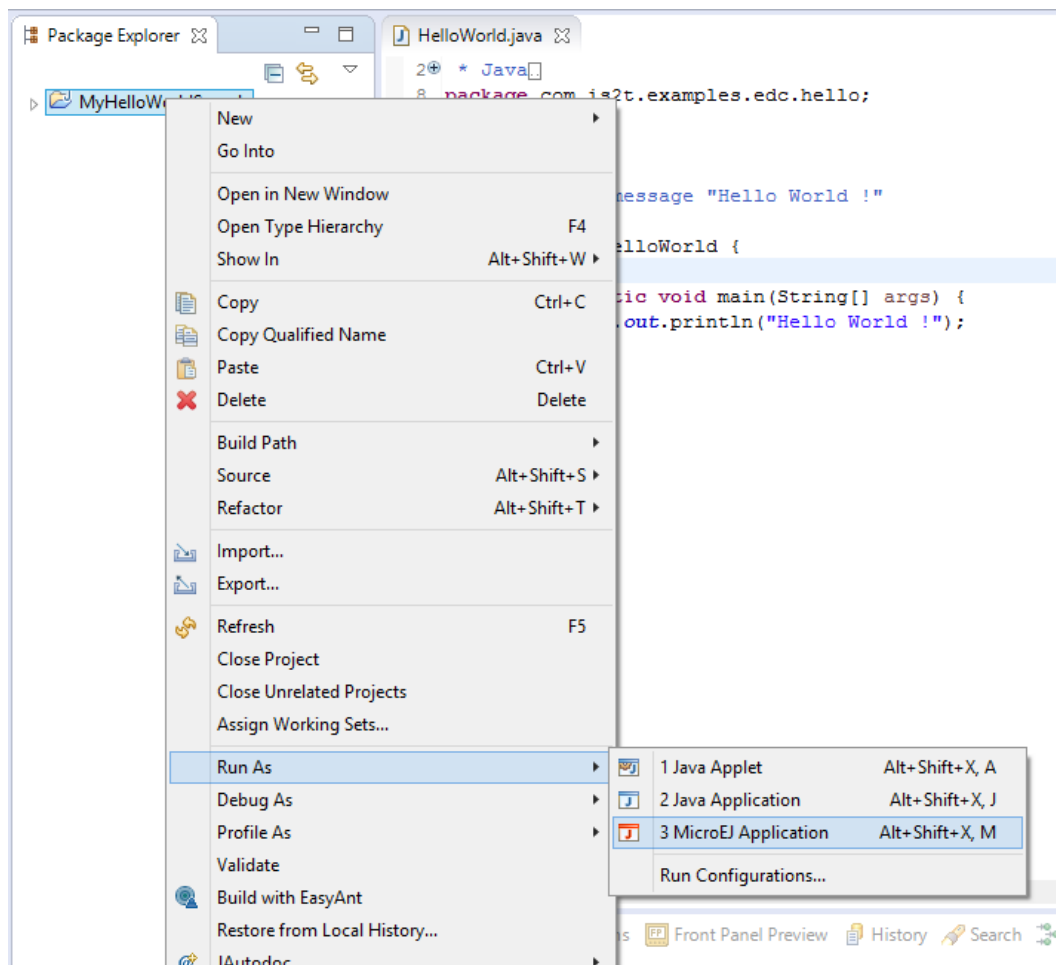


- Click on Finish. The selected example is imported into a project with the given name. The main class (the class which contains the `main()` method) is automatically opened.

## 2.1.2. Run Example

- Select the project in the Package Explorer tree
- Right-click on this project and select `Run As > MicroEJ Application`

Figure 2.3. MicroEJ Standalone Application Running



The application starts. It is executed on the MicroEJ simulator of the selected MicroEJ platform (STM32F746GDISCO-846SI). The result of the test is printed in the console:

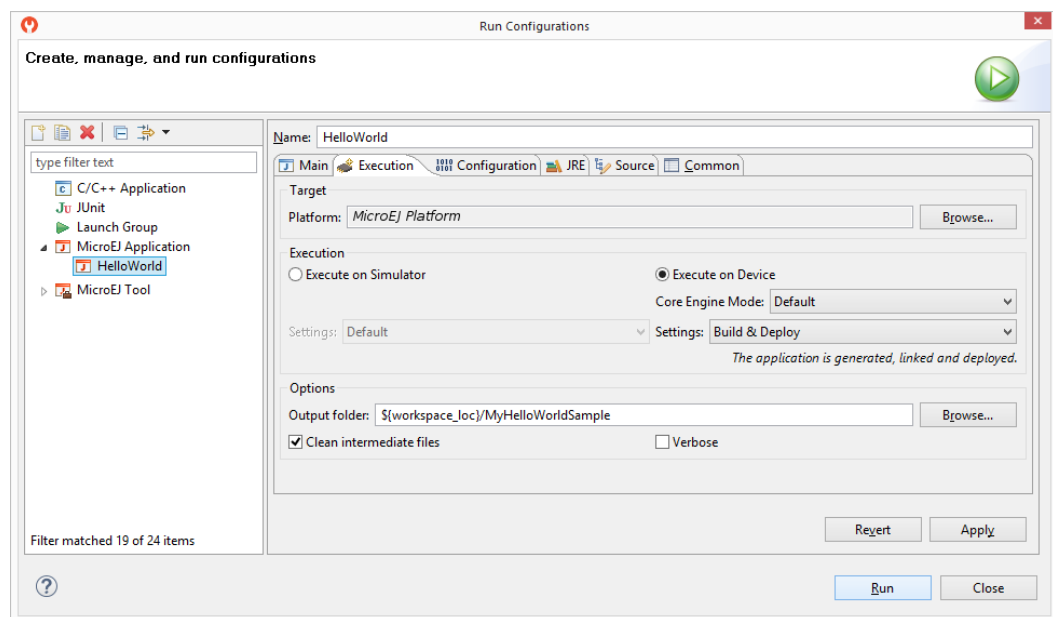
```
Hello World !
```

## 2.2. Run the Example on the STM32F746G-DISCO Board

### 2.2.1. Compile MicroEJ Standalone Application

- Open the run dialog (Run > Run configurations...).
- Select the MicroEJ Application launcher HelloWorld.
- Open Execution tab.
- Select Execute on Device.

Figure 2.4. Execution on Device



- Click Run: the application is compiled, and the compilation result (an ELF file) is copied into a well-known location in the example project. The STM32 ST-LINK utility tool has to be used to load the program on the board.

### 2.2.2. STM32 ST-LINK utility Programming Tool

The aim of this section is to program a binary on the STM32F746G-DISCO board.

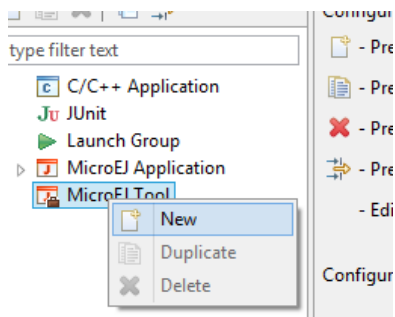


## Prerequisites

Download STM32 ST-LINK utility software from [http://www.st.com/content/st\\_com/en/products/embedded-software/development-tool-software/stsw-link004.html](http://www.st.com/content/st_com/en/products/embedded-software/development-tool-software/stsw-link004.html) and install it on your machine.

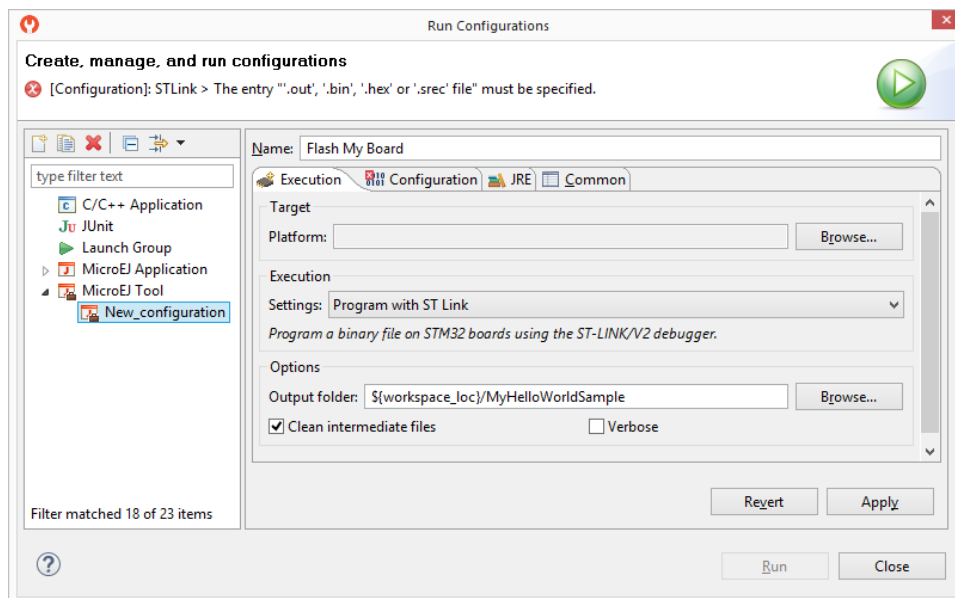
- Click on Run > Run Configurations... Then right click on sub menu of MicroEJ Tool and select New to create a new MicroEJ Tool launcher:

Figure 2.5. MicroEJ Tool Launcher Creation



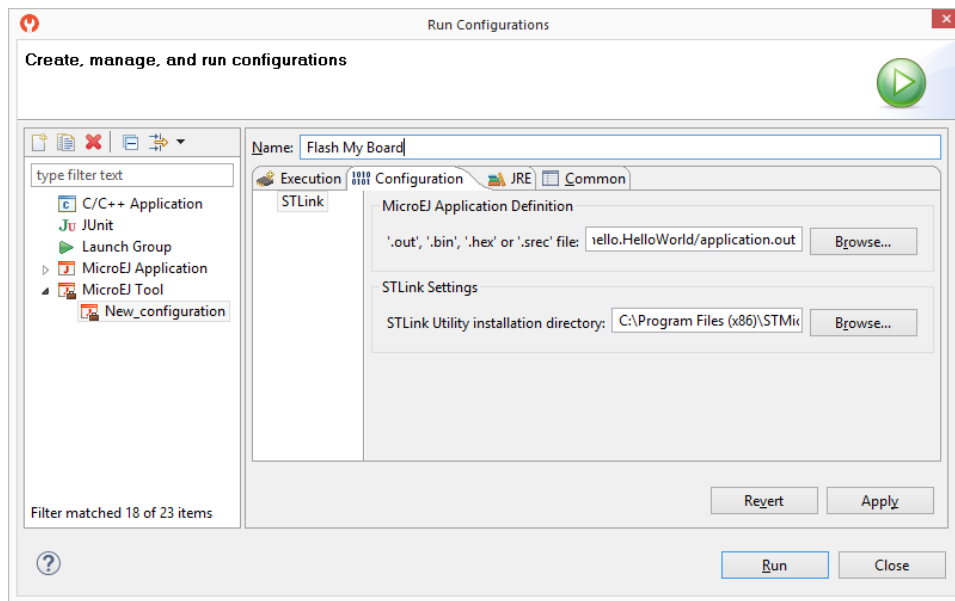
- A new window appears. Give a name to the launcher and select the right MicroEJ platform: STM32F746GDISCO-846SI and the right Settings: Program with ST link:

Figure 2.6. STLink MicroEJ SDK Tool Window



- Click on Configuration tab and select the application.out file available in the MicroEJ project.

Figure 2.7. STLink MicroEJ SDK Tool Configuration Window



- Click on Run to program the binary.

At the end of the execution the following message appeared:

```
Flash programming complete successfully.
```

The application starts. The result of the execution is output on printf COM port. (See “Mandatory Connectors” to use the right connectors). Congratulations, you have deployed a MicroEJ standalone application on a MicroEJ platform.

---

# Chapter 3. Specification

## 3.1. Overview

MicroEJ platform on STM32F746G-DISCO includes a graphical user interface, a TCP/IP network connection, a file system on microSD card, COM connections (UART and USB-CDC) and some custom GPIOs.

## 3.2. MicroEJ Platform Configuration

MicroEJ platform is based on MicroEJ architecture for ARM Cortex-M7.

Table 3.1. MCU Technical Specifications

MCU architecture	Cortex-M7 (STM32F746NG)
MCU Clock speed	200 MHz
Internal Flash	1 MB
Internal RAM	320 KB
External Flash	16 MB (QSPI)
External RAM	8 MB (SDRAM)

MicroEJ platform uses several architecture extensions. The following table illustrates the MicroEJ architecture and extensions versions.

Table 3.2. MicroEJ Configuration

Name	Version
MicroEJ architecture	6.9.0
UI	9.0.2
Network	6.1.5
File System	3.0.0
HAL	1.0.4

## 3.3. Platform Output stream

MicroEJ platform uses USB Virtual COM port as output print stream. The virtual COM port is available on USB ST-Link/V2 connector and is connected to the MCU USART 1.

The COM port uses the following parameters:

- Baudrate: 115200
- Data bits: 8
- Parity bits: None
- Stop bits: 1
- Flow control: None

## 3.4. Memories

MicroEJ Platform uses several internal and external memories. The following table illustrates the MCU and board memory layouts and sizes fixed by the MicroEJ platform.

Table 3.3. Internal RAM: DTCM (64 KB)

Section Name	Size
Ethernet buffers	15560 B
MicroEJ standalone application stack blocks	512 * $n$ bytes <sup>a</sup>
MicroEJ platform internal heap	$n$ bytes <sup>b</sup>

<sup>a</sup>  $n$  is the number of stack blocks defined in MicroEJ Application launcher options.

<sup>b</sup>  $n$  depends on memory configuration set in MicroEJ Application launcher options.

Table 3.4. Internal RAM: SRAM1 (240 KB)

Section Name	Size
SSL buffers	65 KB
Any RW	$n$ bytes <sup>a</sup>

<sup>a</sup>  $n$  depends on MicroEJ application libraries used.

Table 3.5. External RAM: SDRAM (8 MB)

Section Name	Size
Display buffers	510 KB
MicroUI working buffer	3 MB
Multi applications working buffer	3 MB
MicroEJ standalone application heaps	1536 KB <sup>a</sup>

<sup>a</sup> Maximum size of the addition of MicroEJ heap size and MicroEJ immortal heap size. These sizes are defined in MicroEJ Application launcher options.

Table 3.6. Internal flash: AXIM interface (1 MB)

Section Name	Size
Any RO	$n$ bytes <sup>a</sup>

<sup>a</sup>  $n$  depends on MicroEJ application, MicroEJ libraries, Board support package, RTOS, drivers, etc.

Table 3.7. External flash: QSPI (16 MB)

Section Name	Size
MicroEJ standalone application resources	$n$ bytes <sup>a</sup>
Pre-installed MicroEJ sandboxed application	$n$ bytes <sup>b</sup>

<sup>a</sup>  $n$  is the size of all MicroEJ standalone application resources.

<sup>b</sup>  $n$  depends on the size defined in MicroEJ Application launcher options.

## 3.5. Multi Applications

This MicroEJ platform includes the Multi applications mode. Multi applications mode allows to build a firmware that can manage MicroEJ sandboxed applications. Multi applications mode requires a specific memory area to load MicroEJ sandboxed applications. This memory area is located in external SDRAM and its default size is 3 MB.

## 3.6. Graphical User Interface

MicroEJ platform features a graphical user interface. It includes a display, a touch panel, an user button and a runtime PNG decoder.

### 3.6.1. Display

The display module drives a 480 x 272 TFT display. The pixel format is 16 bits-per-pixel: 5 bits for red color component, 6 bits for green color component and 5 bits for blue color component. The display device is clocked at 60Hz and the MicroEJ application drawings are synchronized on this display tick.

The display module uses the STM32F7 hardware acceleration to perform some drawings: the ChromArt (DMA2D). The DMA2D renders all *fill rectangles* (`GraphicsContext.fillRectangle()`) and performs the drawings of all images.

MicroUI requires a RAM buffer to store the dynamic images data. A dynamic is an image decoded at runtime (PNG image) or an image created by the MicroEJ application thanks the API `Image.create(width, height)`. This buffer is located in SDRAM and the reserved size is 3 MB.

### 3.6.2. Inputs

Touch panel: All touch panel events are sent to the MicroEJ application thanks a `Pointer` event generator.

User button: The user button is reserved to the multi applications feature: it allows to force to kill a sandboxed application.

## 3.7. Network

MicroEJ platform features a network interface. Socket limits are

- 10 sockets for TCP client connections
- 5 sockets for TCP server connections
- 6 sockets for UDP connections

A DHCP client can be activated to retrieve an IP address.

## 3.8. SSL

MicroEJ platform features a network secure interface. Available secured protocols are SSL 3.0, TLS 1.0, TLS 1.1, TLS 1.2. Keys and certificates supported formats are PEM and DER.

## 3.9. File System

MicroEJ platform features a file system interface. A microSD card is used for the storage (previously formatted to a FAT32 file system). Up to 2 files can be opened simultaneously.

## 3.10. Serial Communications

### 3.10.1. UART Connector

MicroEJ platform provides one serial connection (ECOM COMM) on UART6 port. UART6 pins are (RTS/CTS mode is not used):

- TX: PC6; available on connector CN4 D1
- RX: PC7; available on connector CN4 D0

### 3.10.2. USB Connector

MicroEJ platform features a serial connection (ECOM COMM) on USB port USBH: USB CDC. USBH connector is CN12.

## 3.11. HAL

MicroEJ platform provides several GPIOs programmable via the HAL foundation library. All GPIOs are available on ARDUINO connectors (CN4 to CN7). Digital pins are implemented by a GPIO access.

Analog input pins (ADC) are driven by ADC channels of ADC 3 and analog output pins (DAC) drive PWM channels of timers 1, 3, 5 and 12.

Each GPIO port / pin value is accessible using either:

- The global MCU designation: all pins of all ports are grouped under only one virtual port (port 0) and have consecutive values: PA0 has the ID 0, PA1, the ID 1, PA15 the ID 15, PB0 the ID 16 and so on. For instance pin *PF6* is accessible by ( 0 , 86 ). This designation is useful to target all MCU pins using only one virtual port.
- The standard MCU designation: PortA has the ID 1, PortB the ID 2 etc. Each pin of each port is a value between 0 (PortN-0) to 15 (PortN-15). For instance pin *PF6* is accessible by ( 6 , 6 ). This designation is useful to target a specific MCU pin.



- The virtual board connectors designation. Board has 2 virtual connectors: ARDUINO digital port and ARDUINO analog port, with respectively these IDs 30 and 31. For instance pin *PF6* is accessible on connector ARDUINO analog, pin A4: ( 31 , 5 ). This designation is useful to target a virtual connector pin without knowing which MCU pin it is and on which physical connector pin is connected.
- The physical board connectors designation. Board has 3 connectors: CN4, CN5 and CN7 (CN6 is not connected to the MCU), with respectively these IDs: 64, 65 and 67. For instance pin *PF6* is accessible on connector CN5, pin5: ( 65 , 6 ). This designation is useful to target a physical connector pin without knowing which MCU pin it is.

The following table summarizes the exhaustive list of GPIOs ports accessible from HAL library, and the ranges of pin IDs:

Table 3.8. HAL GPIOs Ports and Pins

Port name	HAL port ID	Pins range
Global MCU virtual port	0	0 to 143
MCU port A	1	0 to 15
MCU port B	2	0 to 15
MCU port F	6	0 to 15
MCU port G	7	0 to 15
MCU port H	8	0 to 15
MCU port I	9	0 to 15
Board virtual port "ARDUINO digital"	30	0 to 15
Board virtual port "ARDUINO analog"	31	0 to 7
Board physical port "CN4"	64	1 to 8
Board physical port "CN5"	65	1 to 6
Board physical port "CN7"	67	1 to 10

The following table shows the exhaustive list of GPIOs connected to the HAL library, their IDs according the ports IDs and pins IDs (see before):

Table 3.9. HAL GPIOs Pins Designation Mapping

Port / Pin	MCU virtual port (1)	MCU port (2)	Board virtual port (3)	Board physical port (4)
PA0	0, 0	1, 0	31, 0	65, 1
PA8	0, 8	1, 8	30, 10	67, 3
PA15	0, 15	1, 15	30, 9	67, 2
PB4	0, 20	2, 4	30, 3	64, 4

Port / Pin	MCU virtual port (1)	MCU port (2)	Board virtual port (3)	Board physical port (4)
PB14	0, 30	2, 14	30, 12	67, 5
PB15	0, 31	2, 15	30, 11	67, 4
PF6	0, 86	6, 6	31, 5	65, 6
PF7	0, 87	6, 7	31, 4	65, 5
PF8	0, 88	6, 8	31, 3	65, 4
PF9	0, 89	6, 9	31, 2	65, 3
PF10	0, 90	6, 10	31, 1	65, 2
PG6	0, 102	7, 6	30, 2	64, 3
PG7	0, 103	7, 7	30, 4	64, 5
PH6	0, 118	8, 6	30, 6	64, 7
PI0	0, 128	9, 0	30, 5	64, 6
PI1	0, 129	9, 1	30, 13	67, 6
PI2	0, 130	9, 2	30, 8	67, 1
PI3	0, 131	9, 3	30, 7	64, 8

The following table lists the hardware analog devices (ADC / DAC channels) used by HAL analog pins:

Table 3.10. HAL Analog IOs Pins Designation Mapping

Port / Pin	ADC 3 channel	PWM timer / channel
PA0	0	-
PA8	-	1 / 1
PB4	-	3 / 1
PB15	-	12 / 2
PF6	4	-
PF7	5	-
PF8	6	-
PF9	7	-
PF10	8	-
PH6	-	12 / 1
PI0	-	5 / 4

---

# Chapter 4. Foundation Libraries

## 4.1. List

This table illustrates the available foundation libraries in the MicroEJ platform, and their versions.

Table 4.1. Foundation Libraries

Name	Version
EDC	1.2
BON	1.2
ECOM	1.1
ECOM-COMM	1.1
NLS	2.0
SNI	1.2
SP	2.0
KF	1.4
MicroUI	2.0
NET	1.1
SSL	2.0
FS	2.0

# Chapter 5. Board Configuration

STM32F746G-DISCO provides several connectors, each connector is used by the MicroEJ Core Engine itself or by a foundation library.

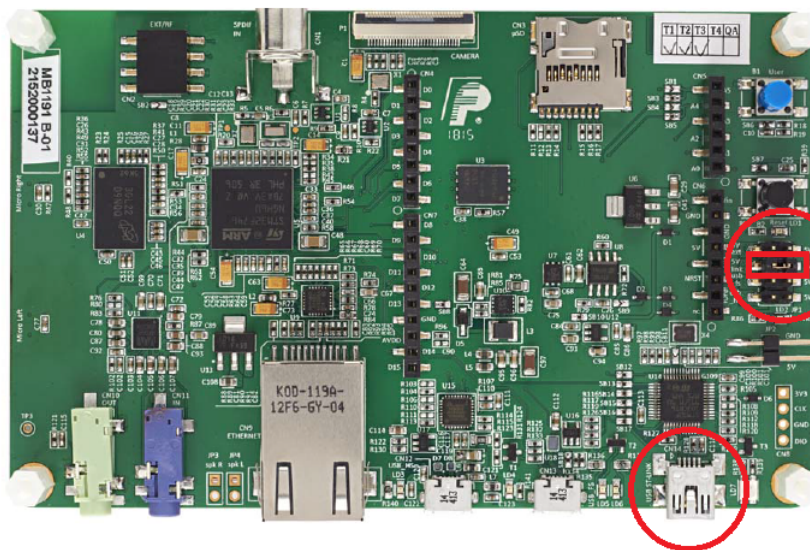
## 5.1. Mandatory Connectors

STM32F746G-DISCO provides a multi function USB port used as:

- Power supply connector
- Probe connector
- Virtual COM port

First of all, ensure the *Power Supply jumper* is fit to the second option: *5V Link*. Then just plug a mini-USB cable to a computer to power on the board, be able to program an application on it and to see the MicroEJ standalone application `System.out.println` traces.

Figure 5.1. Mandatory Connectors



Power supply jumper :  
select "5V link"

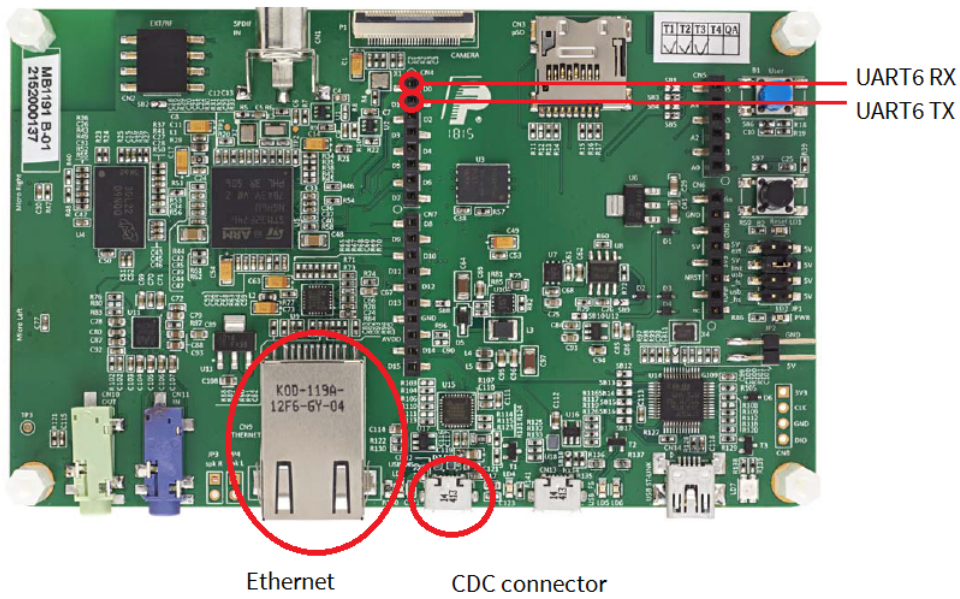
Power supply / ST-LINK/V2 / Virtual COM Port

## 5.2. Communication Connectors

STM32F746G-DISCO provides several communication ports:

- Ethernet
- Serial communication
- CDC communication

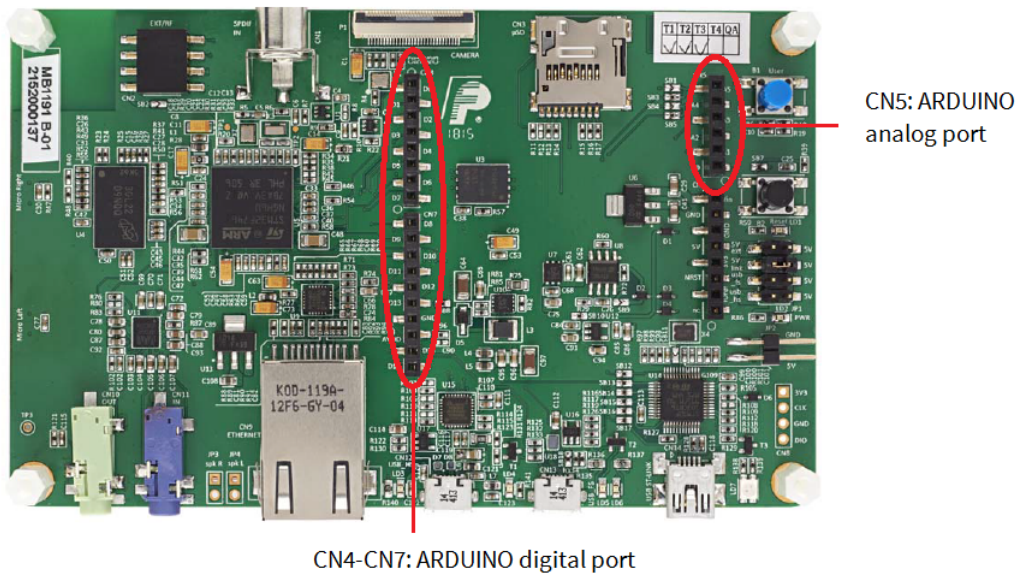
Figure 5.2. Communication Connectors



### 5.3. HAL Connectors

STM32F746G-DISCO provides several HAL GPIOs on connector CN4 to CN7

Figure 5.3. HAL Connectors



---

# Chapter 6. Changelog

## 6.1. Version 3.1.5

BugFix: Soft DNS resolver doesn't retry on timeout and doesn't try other servers on errors

## 6.2. Version 3.1.4

MicroEJ 4.1 alignment (MWT moved as add-on library)

## 6.3. Version 2.2.0

Initial release of the platform.